

AM2048 Rack

High-Density Rack For AM2048B & AM2048OB



Features

- 19" Rack Mounting shelf, 6VU High
- 12 Modem Card Slots - for up to 12 fibre links or up to 24 xDSL Links
- Compatible with AM2048B (xDSL modems) & AM2048OB (Fibre Optic Modems)
- Supports Interfaces: G.703 (75 & 120W), X.21, V.35, e-PIM (10BaseT)
- Front Access
- AC Mains or DC Powered Versions with dual inlet - redundant DC powering
- Network Element Supports VT100 or SNMP Local & Remote Configuration

Overview

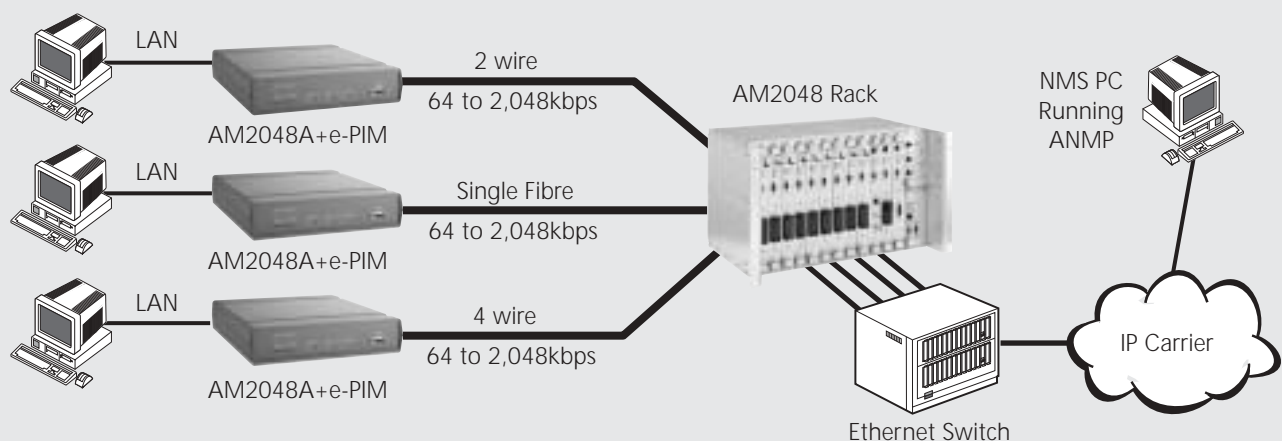
The AM2048 rack supports high-density DSL, fibre optic or mixed media broadband service delivery. The modern DSL & fibre transmission technologies integral to ATL Telecom's range of modems enable you to provide high quality, reliable data communications solutions to your business or customers. LANs can be interconnected over UTP cables, leased lines or fibre optic cabling. The AM2048 fitted with e-PIM enables you to interconnect LANs without the need for separate routers or bridges. Using AM2048 with G.703 modules, a corporate PBX can be linked to a remote office PBX, or mobile base station traffic can be back-hauled.

The AM2048 Rack permits high-density CO provisioning of fibre and xDSL modems for a flexible solution to broadband services delivery. The AM2048 Rack

accommodates up to 12 AM2048 card modems in any mix of copper and fibre transmission systems, with any mix of user interfaces from the wide range available.

With AM2048 DSL modems in point-to-multipoint mode up to 24 remote sites can be supported from a single AM2048 Rack. Up to 12 remote sites can be supported over fibre. Each rack includes an Ethernet Network Element Module for basic configuration & management (with an option for SNMP), and a simple dual power inlet card or AC Mains PSU. In-built diagnostic and alarm reporting features avoid the need for extra test equipment for commissioning. Integral performance monitoring, enable operators to improve QoS and minimise downtime. Remote powering of desktop DSL modems is a further useful option.

Example Application - Mixed Media Broadband IP Extension



AM2048 Rack

High-Density Rack For AM2048B & AM2048OB

Specifications

Capacity	12 card slots for AM2048 modems. Any mix of xDSL or fibre Supports up to 12 remote fibre AM2048OA modems. Supports up to 24 xDSL AM2048A at 960kbps per modem
Data Rates	As per AM2048 Modems - 64kbps to 2Mbps
Rack Interfaces & Connectors	Alarm input/output: 13-way circular DIN; VT100 Port: 9-way D; Ethernet management port (SNMP): RJ45
Rackmount Line Connectors	DSL line: RJ45; Fibre connectors: FC/SPC, ST and SC options
Modem Interfaces & Connectors	V.35 - 34way MRAC; e-PIM (Ethernet 10BaseT) - RJ45; X.21 - 15 way D; G.703 - 75Ω - BNC, 120Ω - RJ45
Power Supply	230V AC or -48V DC; per card ~7W Max., Per Rack 82W max. per rack with power feeding 195W Max.
Environmental	Temp: +5°C to + 40°C; Humidity: Max. 95% non-condensing
Dimensions	Rack: 482 x 356 x 310mm. Card: 30 x 248 x 262mm
LED Indicators	Power, Alarms (Urgent/Non-Urgent), Test Mode, Loops, Master
Management	Via RS232 serial terminal port using VT100
SNMP Management Option	Via Ethernet management port & ANMP network manager

Ordering: AM2048-Rack - (19" rack for 12 modems); Options: AC, DC (power); SNMP (Ethernet port enabled).
AM2048B (xDSL card), AM2048OB (fibre optic card).
Options: V.35, X.21, G.703, e-PIM (interfaces).

ATL Telecom Limited

Headquarters:

ATL Telecom Limited
Cypress Drive, St. Mellons
Cardiff, CF3 0EG
United Kingdom
Tel: +44 (0) 29 20500700
Fax: +44 (0) 29 20500701
Web: www.atltelecom.com

Sales Enquiries:

Tel: +44 (0) 29 20500800
e-mail: sales@atltelecom.com

Distributed by:



A WELSH COMPANY
CWMNI CYMREIG



FM 13448
BS/EN/ISO 9001 1994

atl telecom